



SNS COLLEGE OF TECHNOLOGY

Coimbatore-35
An Autonomous Institution

Accredited by NBA – AICTE and Accredited by NAAC – UGC with 'A++' Grade
Approved by AICTE, New Delhi & Affiliated to Anna University, Chennai



DEPARTMENT OF AUTOMOBILE ENGINEERING

19AUE302 – AUTOMOTIVE SAFETY & INFOTRONICS

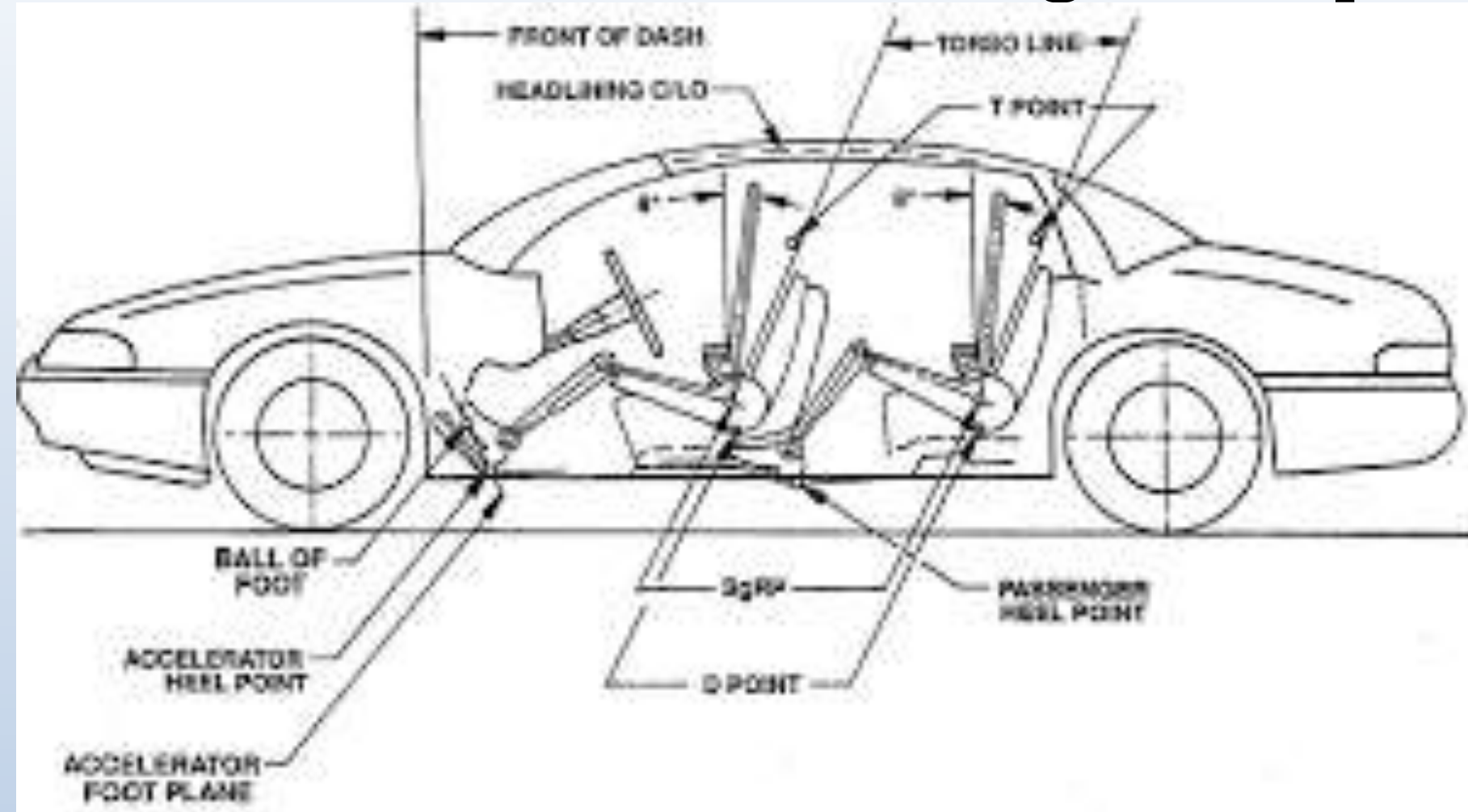
III YEAR / V SEM

UNIT – 1 INTRODUCTION

Topic – 4 Deceleration of Vehicle Inside Passenger Compartment



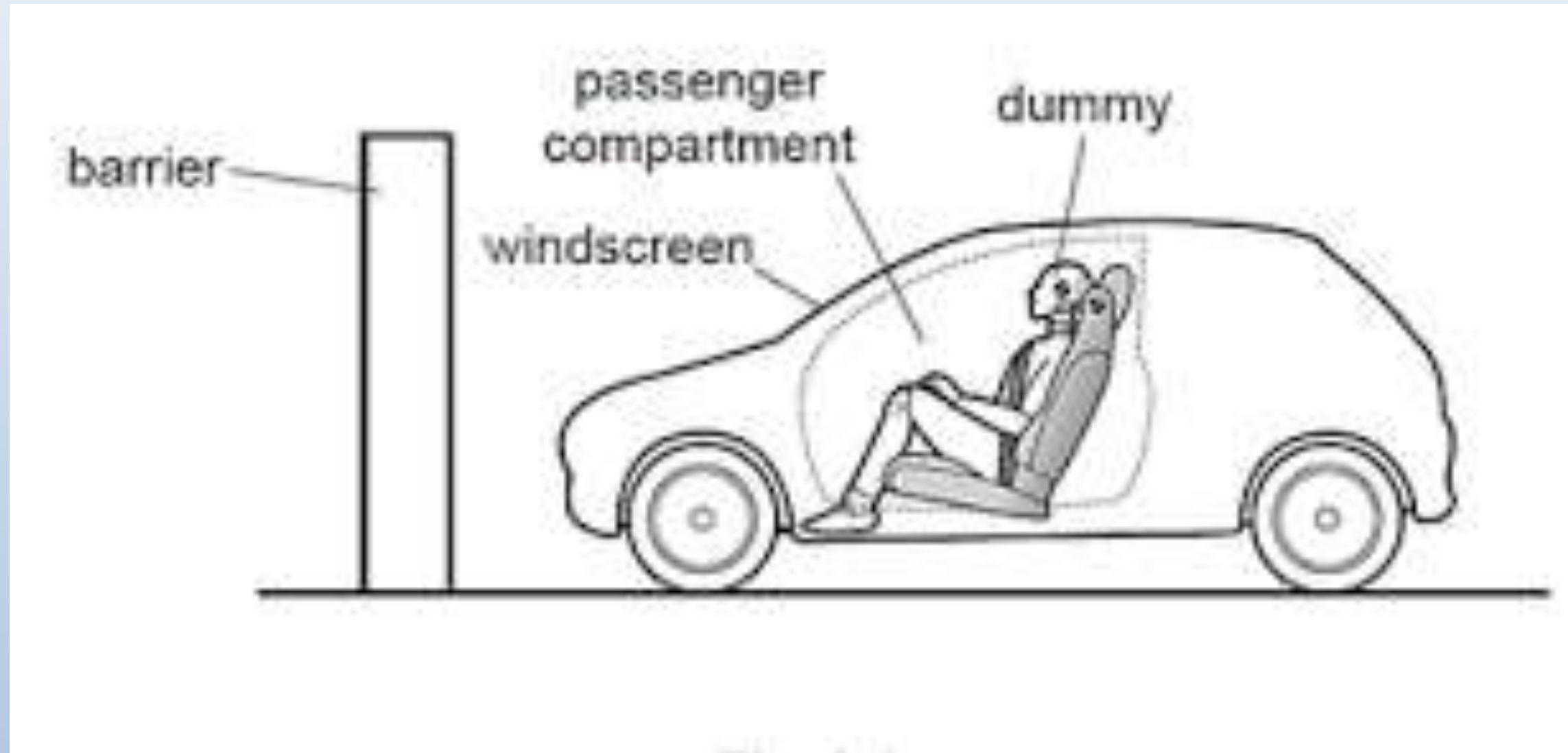
Deceleration of Vehicle Inside Passenger Compartment



- ✓ It is important to study the deceleration inside passenger compartment to know the effect of crash completely, so that the crash avoidance systems can be suitably designed.
- ✓ For example, if the deceleration of the passenger after crash is very high, the air bag system and the seat belt system has to be so designed that the activation time for them is reduced to a lower value. Otherwise it may lead to injuries and fatalities.



Deceleration of Vehicle Inside Passenger Compartment



Deceleration of Vehicle Inside Passenger Compartment

